

OSL™ Litter Stands

OSL™ Litter Stands: REF 60-0029 NSN:PENDING



INSTRUCTIONS FOR USE

PRODUCTS WITH A **MISSION®**

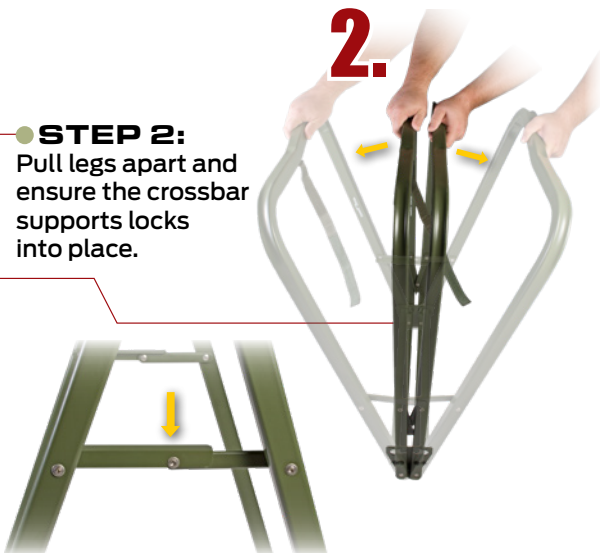
● STEP 1:

To open, unlatch Velcro® strap that holds bottom rails of litter stand together during transport.



● STEP 2:

Pull legs apart and ensure the crossbar supports locks into place.



ZZ-0231 • REV030926



NORTH AMERICAN RESCUE®

www.NARescue.com • 888.689.6277

35 Tedwall Court • Greer SC 29650 • USA

OSL™ Litter Stands

OSL™ Litter Stands: REF 60-0029 NSN:PENDING



INSTRUCTIONS FOR USE

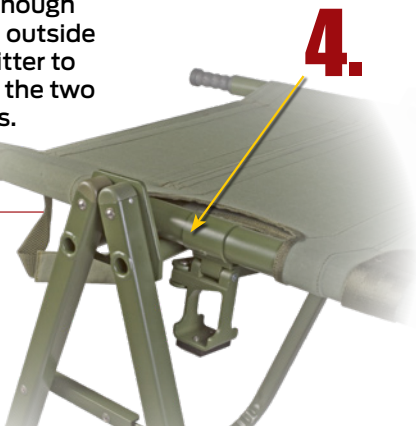
- **STEP 3:**
Turn litter stand over
and place bottom
rails on floor

NOTE:
To close
litter stand, repeat
steps 1-3 in reverse
order.



- **STEP 4:**
When positioning
the litter stands,
ensure that they are
separated enough
to allow the outside
feet of the litter to
sit between the two
outer stands.

NOTE:
Position
the third
stand on either
side of the
litter's middle
feet (the weight
bearing side)



NOTE: It is recommended that
all litter stanchions should
be weighted to provide added
stability. (Figure 1)



FIGURE 1

PRODUCTS WITH A **MISSION**®



NORTH AMERICAN RESCUE®

www.NARescue.com • 888.689.6277